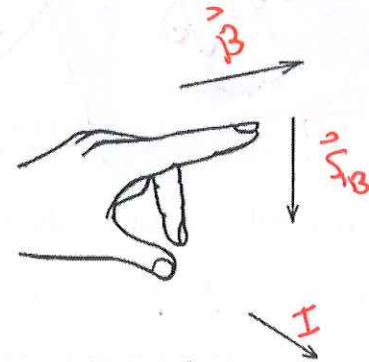
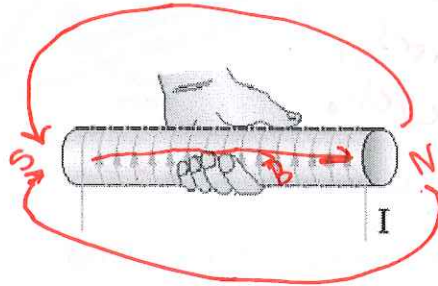
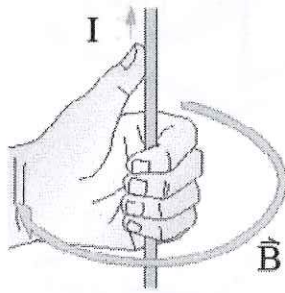
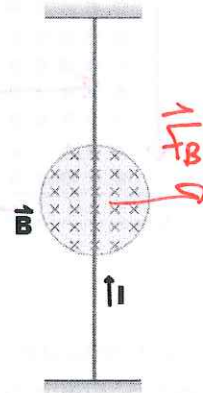
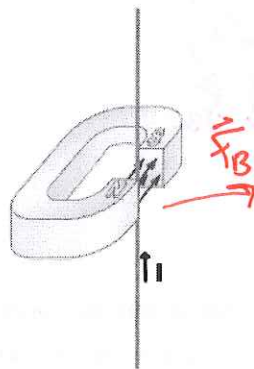
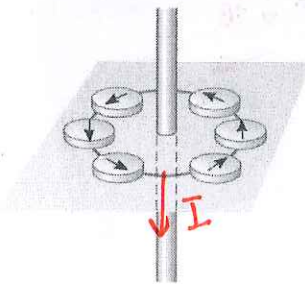


P30 Unit B: Even More Hand Rule Problems!

Review: The Hand Rules – Fill in the missing labels.

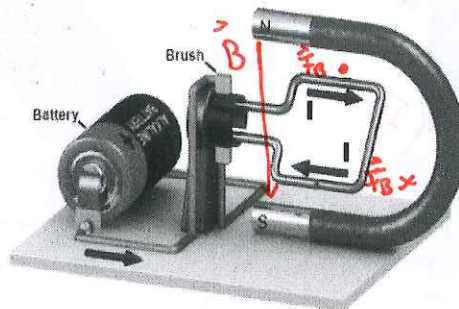


1. Draw in the direction of the current in the diagram below left.



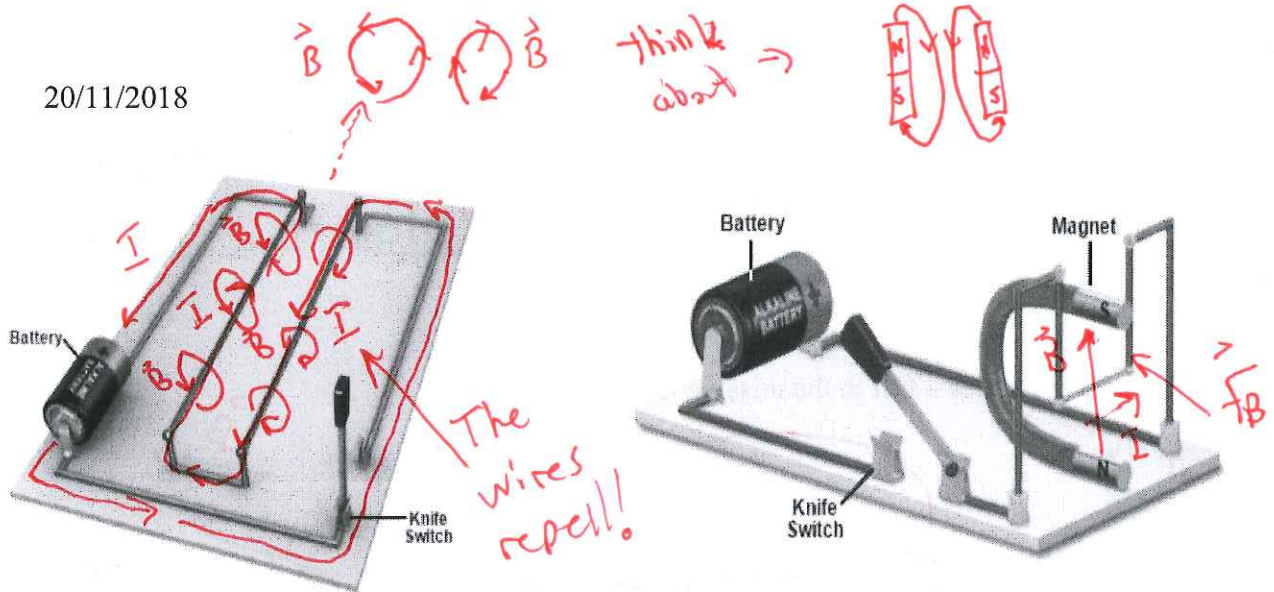
2. Draw in the direction of the force on the wire in the diagram above middle.

3. Draw in the direction of the force on the wire in the diagram above right.



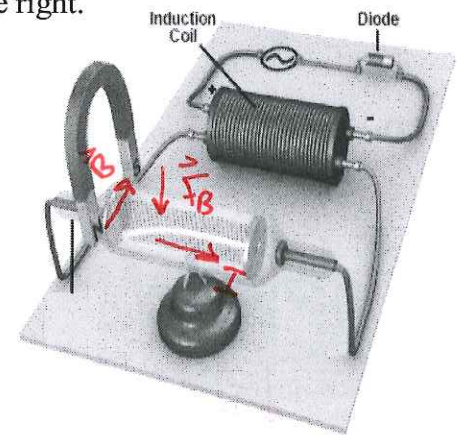
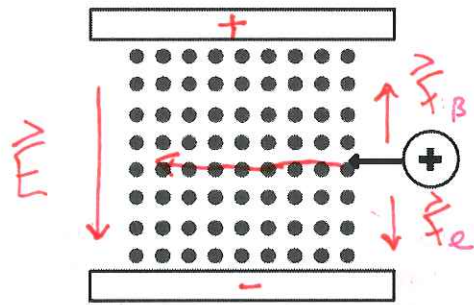
4. Draw in the direction of the magnetic force on the motor armature (top and bottom of loop of wire).

20/11/2018



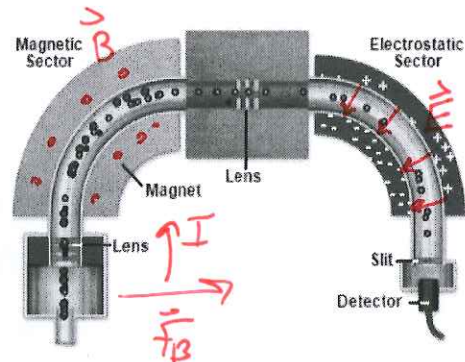
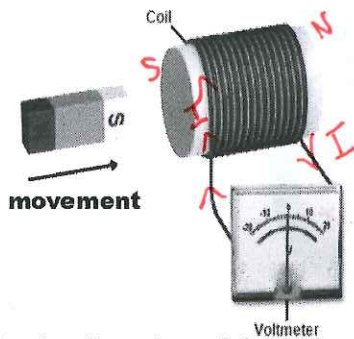
5. Draw in the direction of the force on the wires above left.

6. Draw in the direction of the force on the hanging wire above right.



7. Draw in the direction of the electric and magnetic forces and fields that would be needed to create uniform motion in the positively charged particle above left.

8. Draw in the direction of current needed to create the indicated particle deflection in the cathode ray tube above right.



9. Draw in the direction of the induced current in the solenoid above left.

10. Draw in the direction of the electric and magnetic fields needed to make the positively charged particles in the dual sector mass spectrometer move in a clockwise direction above right.